

pardo wall beds

ASSEMBLY INSTRUCTIONS **PREMIUM 3000** ***QUEEN*** **FOLD DOWN WALL BEDS**

Tools Required For Assembly

No 2 & No 4 Phillips Head Screwdrivers

No 2 Slot Head Screwdriver

Hammer

Electric Drill (Hammer Drill for Masonry)

6.5mm Masonry Drill Bit

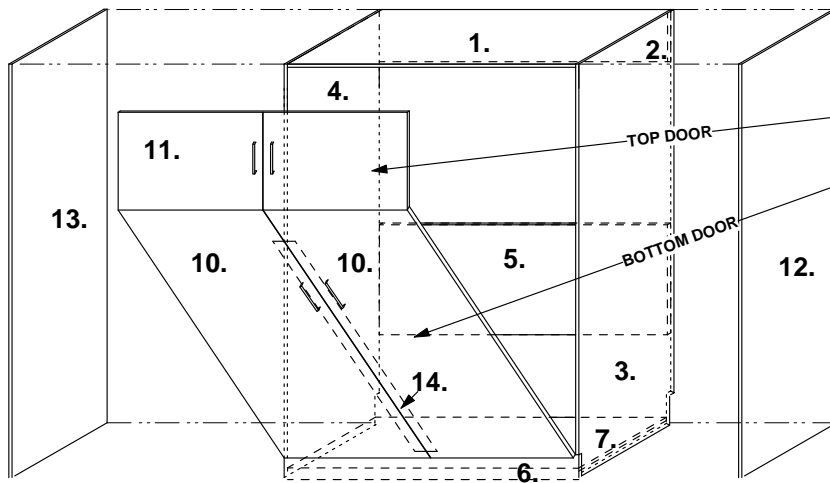
Pliers

Spirit Level

Adjustable Spanner

24mm Socket Set

Cabinet Components



We recommend top door (11) & bottom doors (10) are cut from one piece as per cutting list. This ensures more accurate door alignment on closing of bed.

Panels (Queen)

Panel

Size (mm)

1 x Top	1	1560 x 464 x 16
1 x Top Back Rail	2	1560 x 250 x 16
x Right Hand End	3	2227 x 480 x 16
1 x Left Hand End	4	2227 x 480 x 16
1 x Bottom Back Rail	5	1560 x 570 x 16
1 x Front Skirting	6	1592 x 115 x 16
1 x Bottom	7	1560 x 440 x 16
1 x Headboard	8	1500 x 270 x 16
1 x Pillowcatch	9	1500 x 370 x 16
1 x Door Bottom	10	1660 x 1588 x 16
1 x Door Top	11	444 x 1588 x 16
1 x Blank End Right Panel	12	2227 x 505 x 16
1 x Blank End Left Panel	13	2227 x 505 x 16
1 x Fixing Rail (Optional if Door Bottom 10. is made in 2 pieces)	14	1483 x 74 x 16

Cabinet Construction

This is an example cabinet construction method using knock down fittings to ensure the mechanism operates correctly. Variations to construction should be checked with Pardo. 16 or 18mm thick particleboard doors are recommended.

Mattress size 1500 x 2050 x 250D MAXIMUM depth

Door + Mattress 60 kgs MAXIMUM weight

Pillowcatch

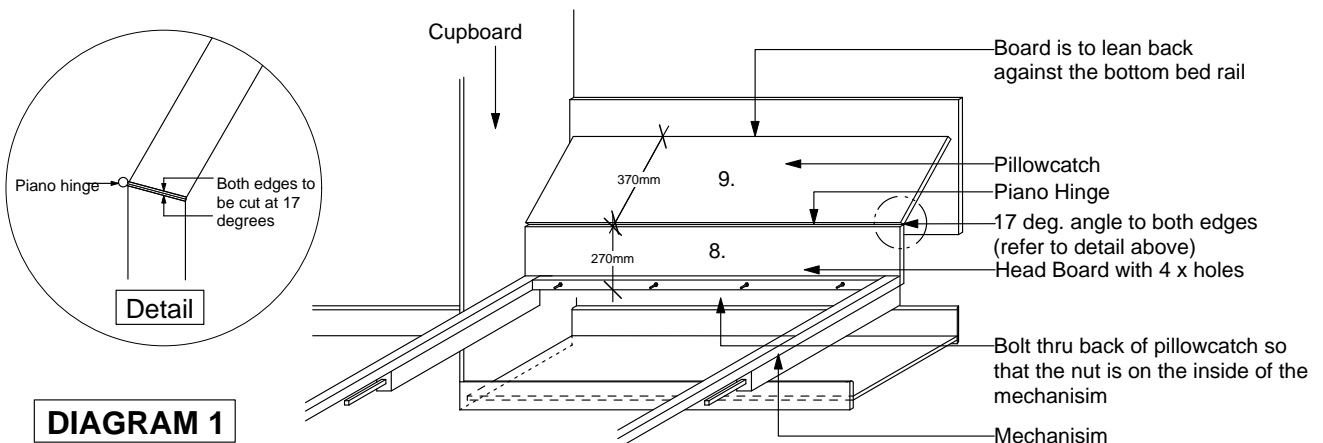
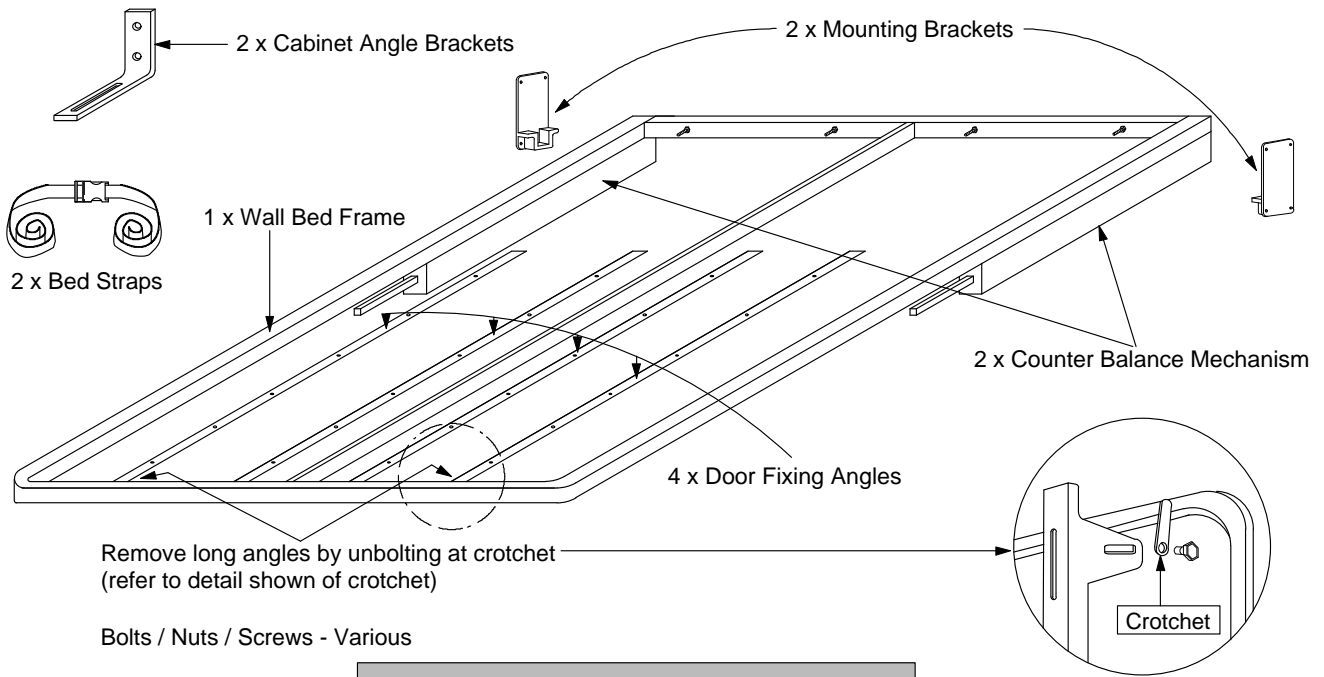


DIAGRAM 1

Mechanism Components



Mattress: Standard innerspring mattresses are recommended. Maximum mattress thickness is 250mm

Hardware - (recommended)



6 x Wooden Dowels for panel # 14



15 x Large Trim Caps



26 x Cam Bolts



26 x Fix Cams



4 x Handles



10 x Wall Plugs



2 x Piano Hinge



4 x Nut, Bolt and Double Washer setup



12 x Optional Small Trim Caps for end panels

SCREWS RECOMMENDED

- 28mm For screw fixing rail to panel # 14 (optional)
- 28mm For screwing optional blank end to ends.
- 45mm Screws for fixing carcasses together.
- 65mm Screws for attaching to wall.

Step 1 - Cabinet Assembly

Refer to Diagram 2

- * Insert wooden dowels along back of doors #10 & faces of fixing rail #14.
- * Using hammer, tap cams into all 20mm holes in all panels. Important : Orientation of cam as shown in photo below.
- * Screw cam bolts into 5mm holes in all panels where required.

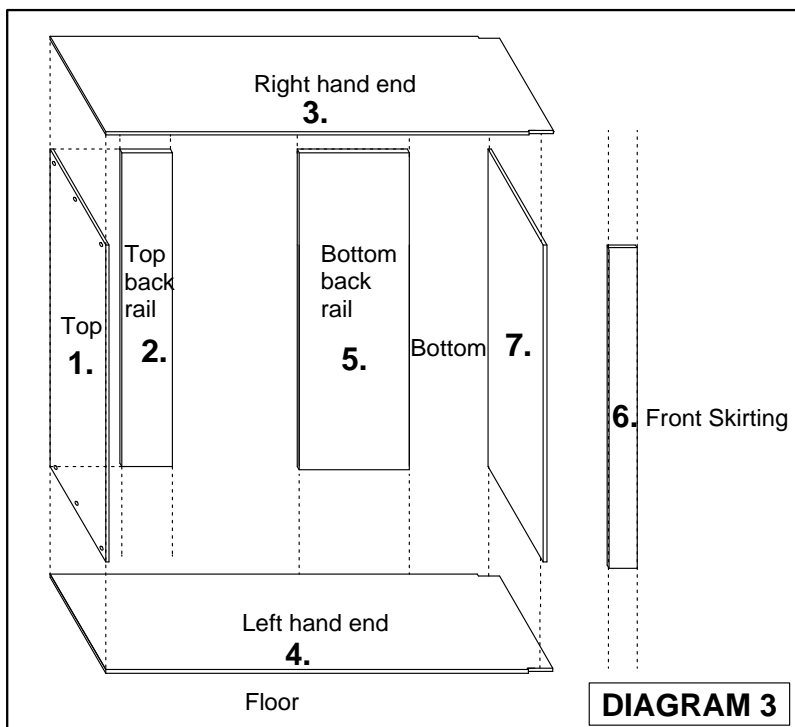


Hammer fix cam in place.



Screw fix cam bolt into 5mm holes.

DIAGRAM 2



Refer to Diagram 3

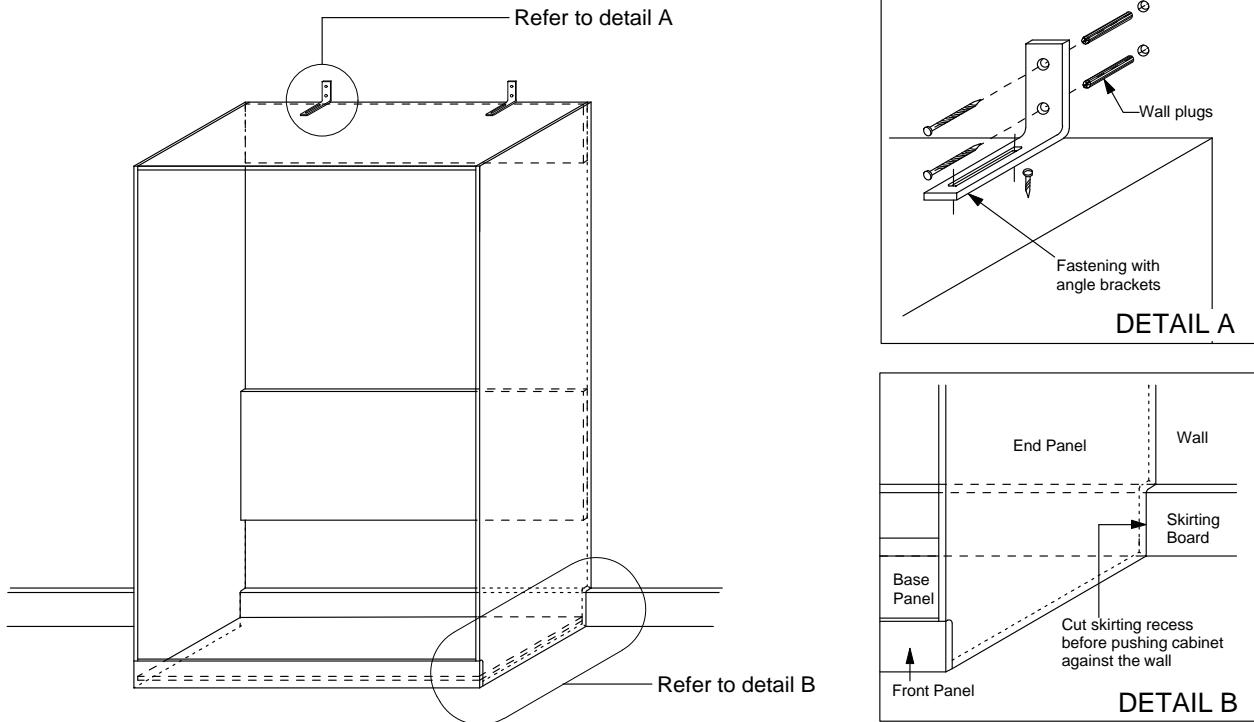
- * Lay left hand end #4 on floor with cam bolts upright.
- * Join top #1 to left hand end #4 and tighten cams.
- * Join top back rail #2 to left hand end #4 and tighten cams.
- * Join bottom #7 to left hand end #4 and tighten cams
- * Join bottom back rail #5 to left hand end #4 and tighten cams.
- * Fix top back rail #2 to top #1 by screwing thru pre drilled holes using 45mm screws.
- * Place right hand end #3 on top of panels #1, #2, #5, #7 ensuring all wooden dowel and cam bolts are inserted correctly. Tighten all cams.
- * Join skirting #6 to right hand #3 and left hand #4 with skirting corner connectors and by tightening cams on the bottom.

Step2 - Fixing Cabinet To Wall

- * Lay cabinet face down with bottom facing the wall.
- * To ensure the cabinet is flush against the wall when upright, it may be necessary to cut a larger recess into bottom of left and right hand end of cabinet.

IMPORTANT NOTE: Before moving cabinet upright, ensure all cams are tightened securely.

- * Lift cabinet at top, pushing towards wall, being careful to have sufficient ceiling clearance.
- * Place cabinet into position against the wall and, using a spirit level against either the right or left hand end and the top, find the correct vertical and horizontal position. Mark this position on the wall with a pencil.



FASTENING OPTIONS 1

(for gyprock, fibro or timber walls)

- * Locate wall studs and mark clearly with pencil.
- * Sit angle brackets in cabinet top, flush with top and back edge and against the wall studs. Ensure that the twin hole side of bracket is against the wall.
- * Fix angle brackets through wall into studs using 65mm screws.
- * Ensure cabinet is in correct vertical position. Fix bottom of brackets into cabinet top using 16mm screws.
- * Fix bottom back rail to wall. Countersink screws to avoid pillow catch scraping on them.
- * Additional screws recommended through top back rail.

FASTENING OPTIONS 2

(for brick/masonry walls)

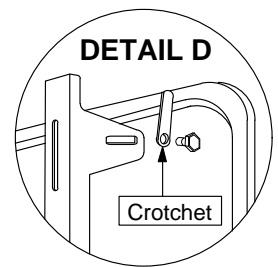
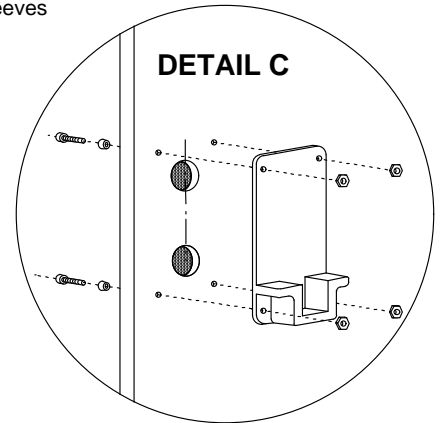
- * Ensure cabinet is in correct vertical position.
- * With a pencil or nail, mark the wall through the predrilled holes in the top back rail and the bottom back rail.
- * Move cabinet aside. Using a 6.5mm masonry bit, drill 60mm deep holes into wall and insert wall plugs supplied.
- * Move cabinet back into place against wall.
- * Fix top back rail to wall through predrilled holes using 61mm screws. put on cover caps.
- * Fix bottom back rail to wall. Countersink screws to avoid pillow catch scraping on them.
- * Additional screws recommended through top back rail.

PLEASE NOTE

As there is a lot of tension in the Wallbed when in the open position, it is very important that the cabinet is securely fixed to the wall.

Step3 - Wall Bed mechanism Assembly / Installation

- * Bolt bed frame mounting brackets to left and right ends through predrilled holes using sleeves and bolts provided. (DETAIL C)
- * Remove the four (4) long angles from the bed by unbolting at crochet. (DETAIL D)
- * Bolt left and right hand counter balance mechanisms to bed frame. (Ensuring counter balances are to the outer extreme edges of the frame).
- * Prior to fitting bed frame into cabinet, sitting pivot block into mounting brackets. (Diagram 4) When complete, leave bed frame vertical in cabinet. Be sure leveling screw protruding 2-3mm out of the bottom of the block (for later adjustment).
- * Using screws provided, fit piano hinge to bottom of bottom door. Hinge bottom door to skirting as detailed in. (Diagram 5)
- * Screw the outer fixing angles #1 + #4 (Diagram 6) to the back of the top and bottom door through elongated holes in the angle into pre-marked holes in the doors. Remember to leave a 3mm gap between the top and bottom doors. (diagram 6)
- * Lift top door till it is at right angles (90°) to the bottom door. (diagram 6)
- * Lower bed frame and guide bed frame leg into top door sleeve as shown. (diagram 7)



PLEASE NOTE

DO NOT LET GO OF THE MECHANISM AS IT WILL SPRING BACK INTO THE CABINET AND MAY CAUSE DAMAGE

- * Re-attach bed frame to angles on bottom doors by bolts through crotchets.
Note: Doors are now ready to lift upwards. As there is no tension on the mechanism, the doors are very heavy.

DIAGRAM 4

SITTING PIVOT BLOCK INTO MOUNTING BRACKETS

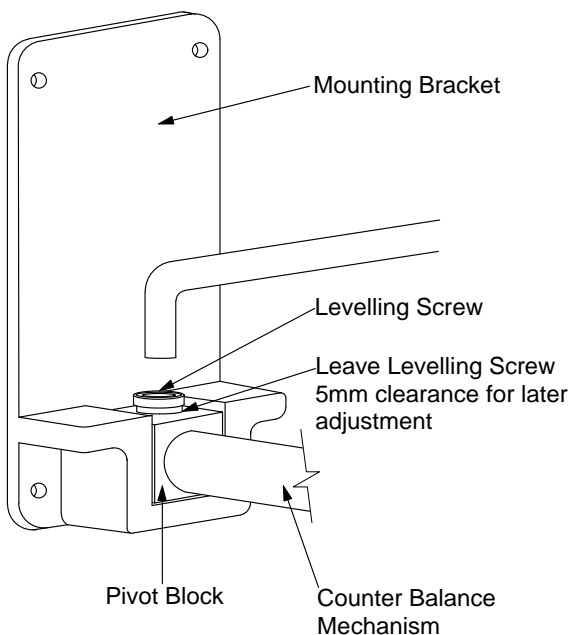


DIAGRAM 5

HINGE BOTTOM DOOR TO SKIRTING DETAIL

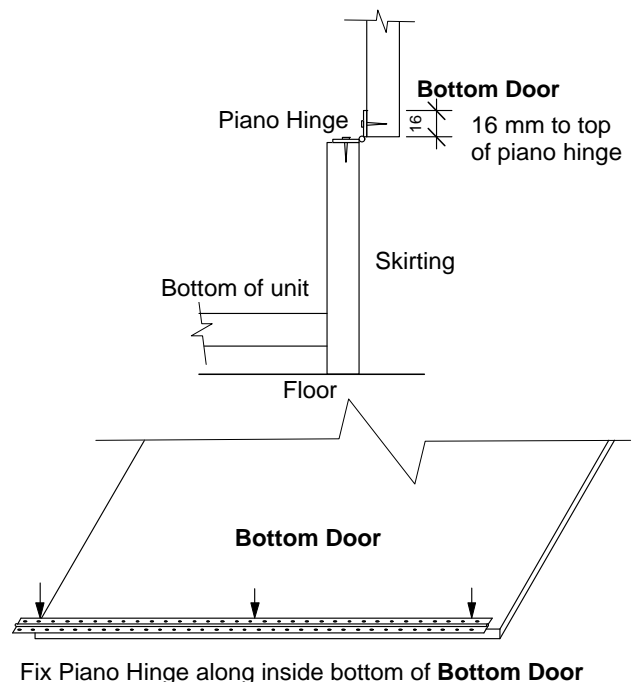
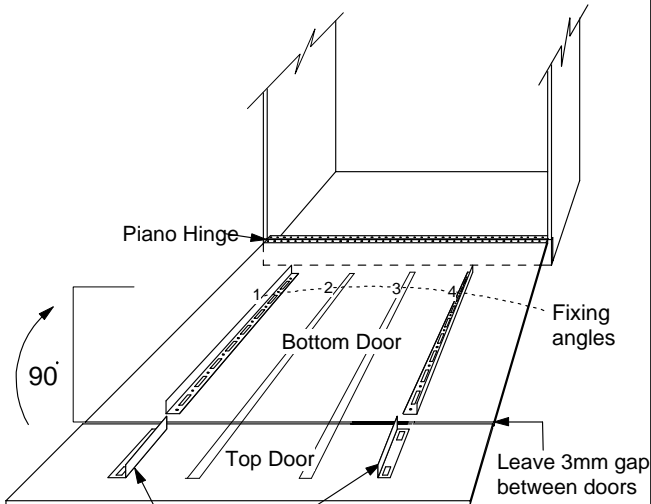


DIAGRAM 6

SCREWING BED FRAME ANGLES TO DOORS

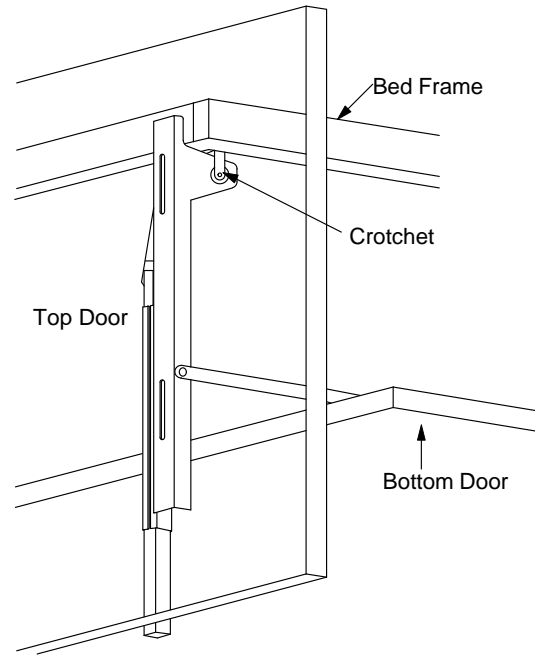
Note: Bed Frame should still be vertical in Cabinet



Use elongated holes only - allowing adjustment later

DIAGRAM 7

GUIDING BED FRAME LEG INTO TOP DOOR SLEEVE



- * With one person each side of the bed, lift doors up to within 30° of closing. (Diagram 8)
- * With a large 24mm Socket spanner turn tension handle clockwise on counter balance mechanisms to adjust tension. (Approximately 30 quarter turns would adjust tension sufficiently for a medium weight mattress.)
- * Test by lowering the cabinet doors to floor and up again. The correct tension is achieved when the bed frame and doors lift slightly off the floor without the weight of a mattress.
- * Once the correct tension is achieved close doors to cabinet. Doors should meet flush with each other and with cabinet, otherwise adjustment will be necessary. (Diagram 9).
- * Where adjustment is necessary, adjust **BOTTOM DOOR ONLY**. Lower doors to floor and move angles up or down in elongated holes until doors meet flush with cabinet. (Diagram 9)
- * When door adjustment is complete, secure position of angles against **BOTTOM DOORS** by screwing home all other angle screws.
- * The gap between the top and bottom doors should be 3mm. If this is not the case, or if the doors do not meet squarely, then adjust by moving angles on the **TOP DOOR ONLY**, until a level 3mm gap is achieved.
- * When door adjustment is complete, secure position of angles against **TOP DOOR** by screwing home all other angle screws.
- * While the bed is open, fix the middle fixing angles #2 & #3 (Diagram 6) to the back of the door and by bolting it to the crotchet. Test the adjustment of the door again by closing up the bed, further adjustment may be necessary.
- * If Headboard #8 and pillowcatch #9 are being used, hinge them together using piano hinge provided. (Diagram 1, pillowcatch)
- * Bolt Headboard to bottom of bed frame through predrilled holes with bolts and nuts provided.
- * Attach handles to doors.
- * Attach bed straps to sides of bed frame by sliding ends through sewn loops over frame edge, approximately 300mm from head and foot of bed frame, and tighten until secure.
- * Slide mattress onto bed frame and secure with bed straps.
- * Close doors and again ensure that they meet flush with each other and with cabinet. Final adjustment may be necessary and can be done by turning leveling screws in mounting block whilst the bed is open at 30°. (Diagram 10)

WARNING

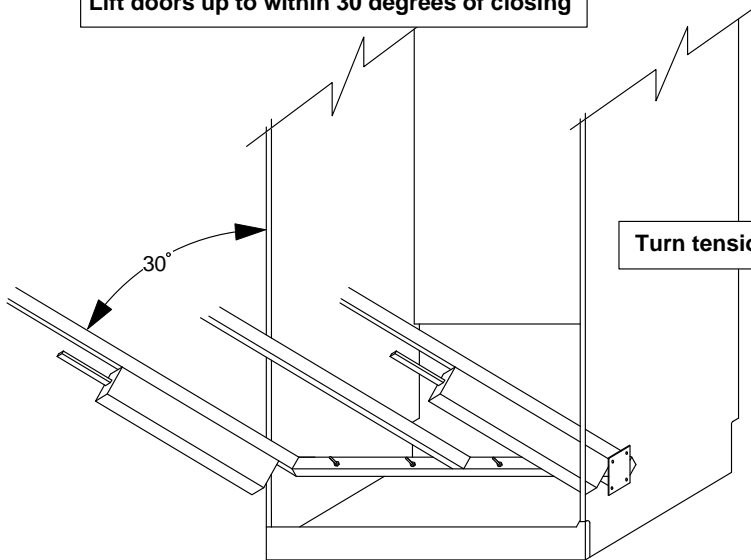
When operating the Wallbed mechanism the bed frame must be carefully lowered all the way to the floor and not left to drop freely. If the bed frame is lowered without the weight of a mattress it may spring back causing injury.

- * **BLANK END PANELS** -
If purchasing storage modules with your Wallbed leave this step until your storage modules are installed.
- * Once you are happy with the Wallbed & door adjustments, you can fit the two blank end panels to the sides of the Wallbed by fixing them through the inside of the end panel.

DIAGRAM 8

ADJUST TENSION COUNTER BALANCE MECHANISMS

Lift doors up to within 30 degrees of closing



Turn tension handles clockwise to increase tension

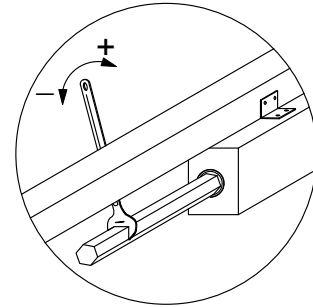
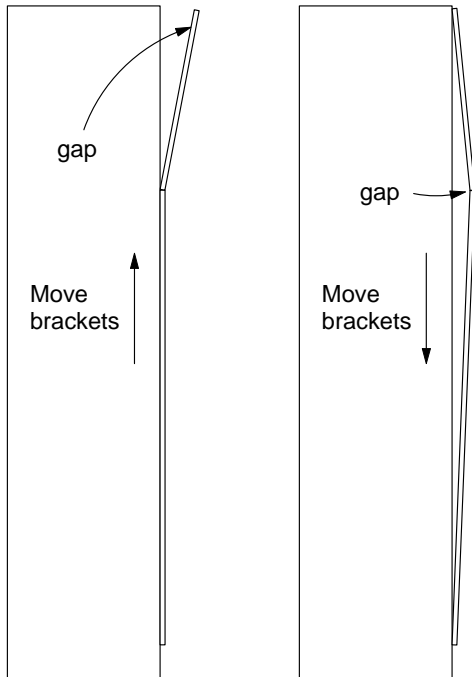


DIAGRAM 9

DOOR ADJUSTMENT

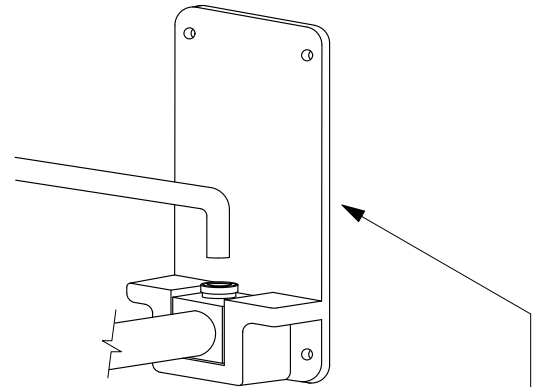


ADJUST BOTTOM DOOR ONLY

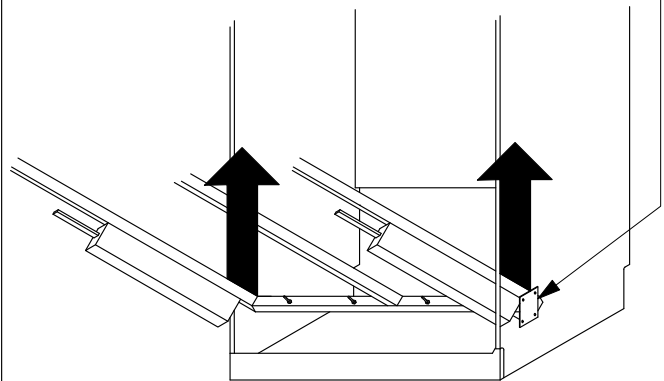
Lower doors to floor and move angles up or down on bottom door only till they meet flush

DIAGRAM 10

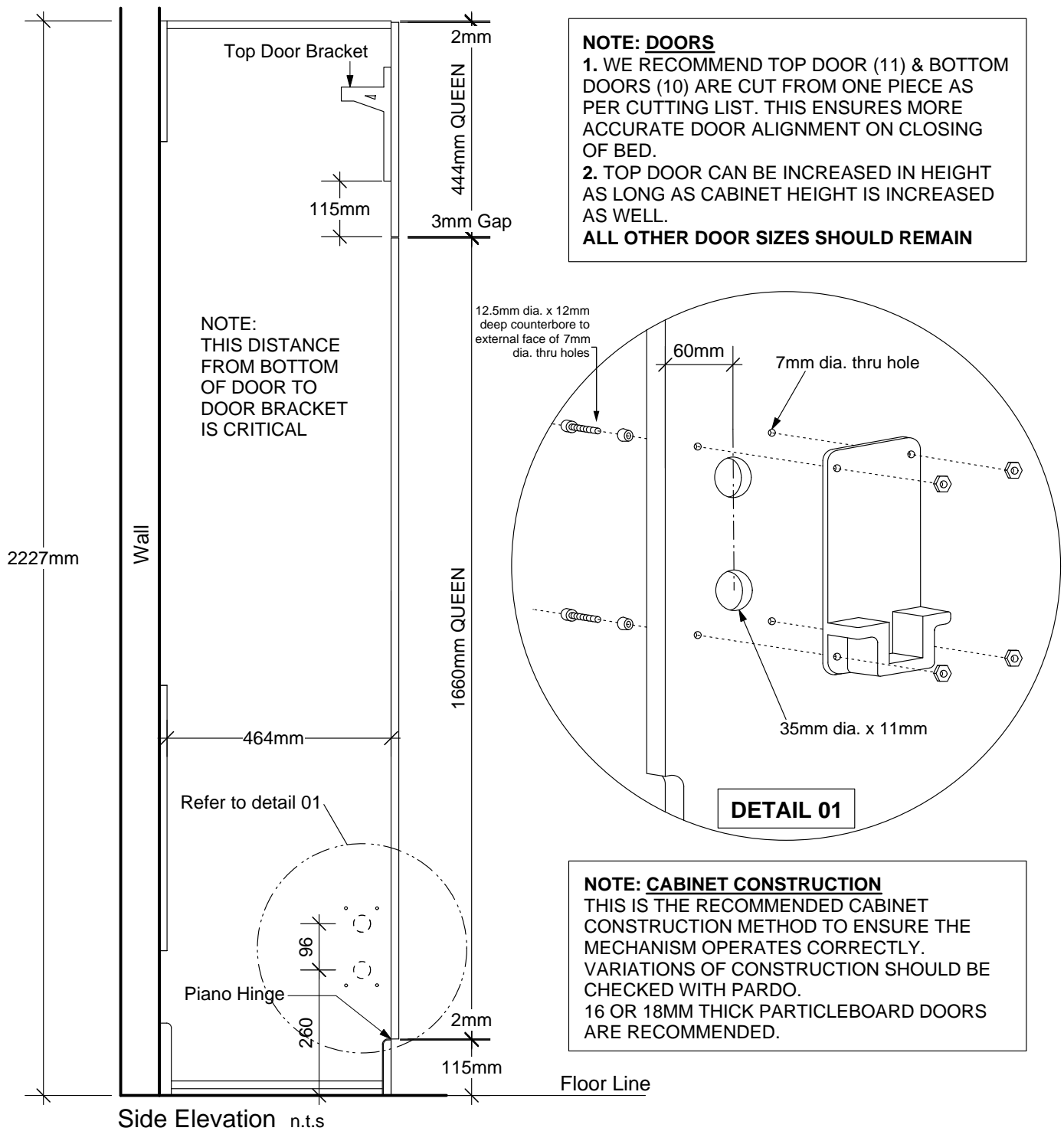
ADJUSTING LEVELLING SCREWS



Final adjustment of doors may be made by adjusting levelling screws in mounting block whilst bed is open at 30 degrees



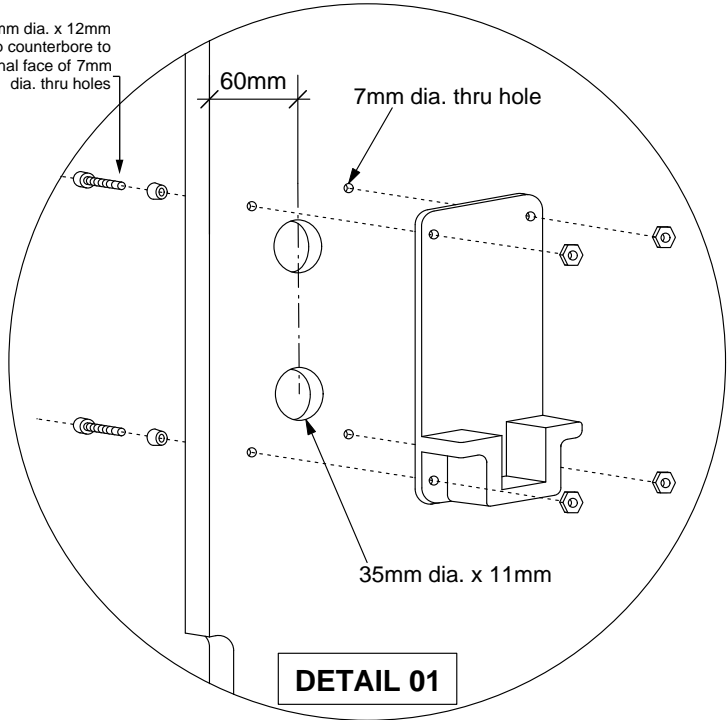
Carcase Construction



NOTE: DOORS

1. WE RECOMMEND TOP DOOR (11) & BOTTOM DOORS (10) ARE CUT FROM ONE PIECE AS PER CUTTING LIST. THIS ENSURES MORE ACCURATE DOOR ALIGNMENT ON CLOSING OF BED.
2. TOP DOOR CAN BE INCREASED IN HEIGHT AS LONG AS CABINET HEIGHT IS INCREASED AS WELL.

ALL OTHER DOOR SIZES SHOULD REMAIN



NOTE: CABINET CONSTRUCTION

THIS IS THE RECOMMENDED CABINET CONSTRUCTION METHOD TO ENSURE THE MECHANISM OPERATES CORRECTLY. VARIATIONS OF CONSTRUCTION SHOULD BE CHECKED WITH PARDO.

16 OR 18MM THICK PARTICLEBOARD DOORS ARE RECOMMENDED.

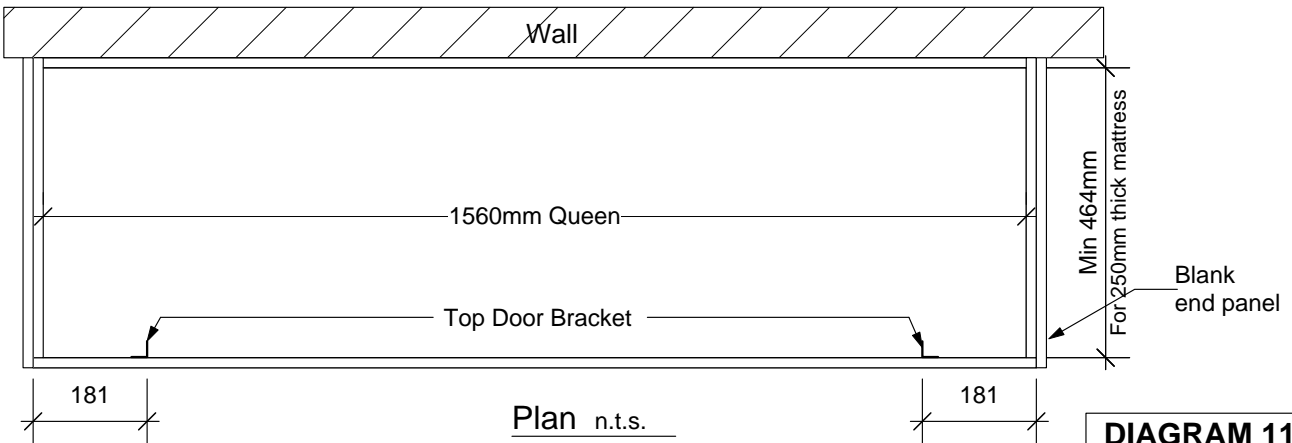


DIAGRAM 11

Queen Fold Down Door (outer fixing angles)

Locations given are an approximate guide only for the slotted
Bracket holes. Fix into round holes after checking and adjustments are completed

#1 & #4 DIAGRAM 6

