

pardo wall beds

ASSEMBLY INSTRUCTIONS STREAMLINE 3000 *DOUBLE* ONE PIECE DOOR WALL BEDS

Tools Required For Assembly

No 2 & No 4 Phillips Head Screwdrivers

No 2 Slot Head Screwdriver

Hammer

Electric Drill (Hammer Drill for Masonry)

6.5mm Masonry Drill Bit

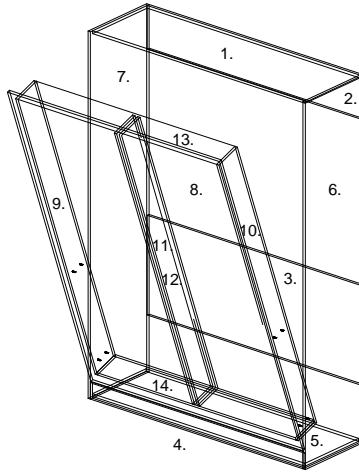
Pliers

Spirit Level

Adjustable Spanners

24mm Socket Set

Cabinet Components



Panels (Double)

Panel

Size (mm)

1 x Top	1	1460 x 446 x 16
1 x Top Back Rail	2	1460 x 250 x 16
1 x Back Rail	3	1460 x 570 x 16
1 x Front Skirting	4	1460 x 100 x 16
1 x Bottom	5	1460 x 439 x 16
1 x Right Hand End	6	2100 x 480 x 16
1 x Left Hand End	7	2100 x 480 x 16
1 x Door	8	1996 x 1456 x 16*
1 x Left Hand Frame Rail	9	1902 x 160 x 16
1 x Right Hand Frame Rail	10	1902 x 160 x 16
2 x Mid Frame Rail	11, 12	1870 x 160 x 16
1 x Top Frame Rail	13	1364 x 160 x 16
1 x Bottom Frame Rail	14	1364 x 160 x 16
2 x 3mm Packers	15, 16	1800 x 30 x 16

Cabinet Construction

This is the recommended cabinet construction method to ensure the mechanism operates correctly. Variations of construction should be checked with Pardo. 16 or 18mm thick particleboard doors are recommended.

Mattress size 1400 x 1900 x 250D MAXIMUM depth

Door + Mattress 58 kgs MAXIMUM weight

*If door is produced in 2 x pieces additional structural support is required. Refer to detail H.

Pillowcatch

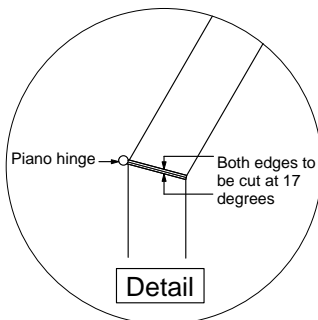
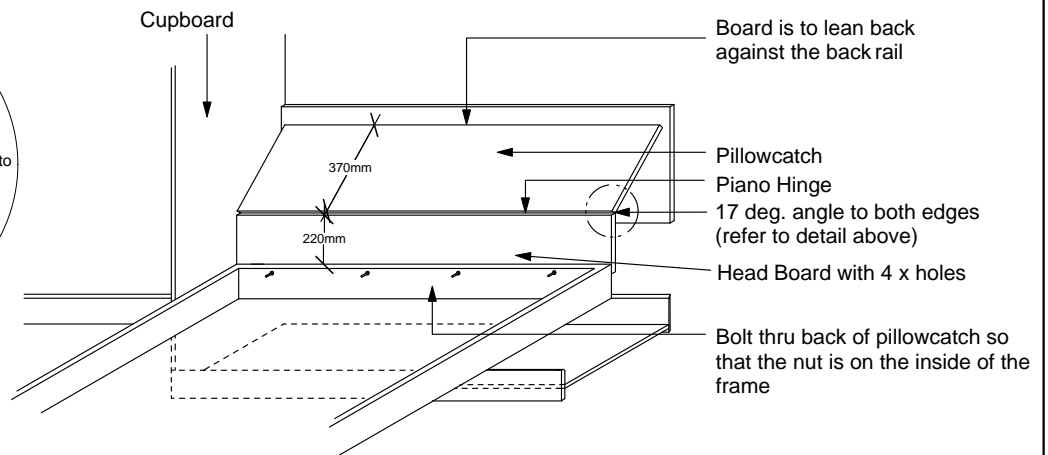
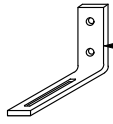


DIAGRAM 1

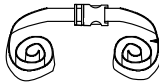


Mechanism Components



2 x Cabinet Angle Brackets

Bolts / Nuts / Screws - Various



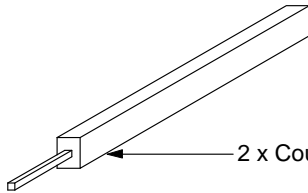
2 x Bed Straps

28 Slats

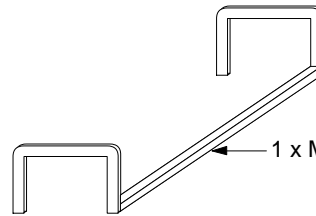


2 x Mounting Brackets

56 Slat Cup Holders



2 x Counter Balance Mechanism



1 x Manual Foot

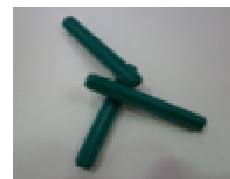
Cabinet Hardware



64 x Fix Cams



64 x Cam Bolts



10 x Green Wall Plugs



1 x Piano Hinge



15 x Large Trim Caps



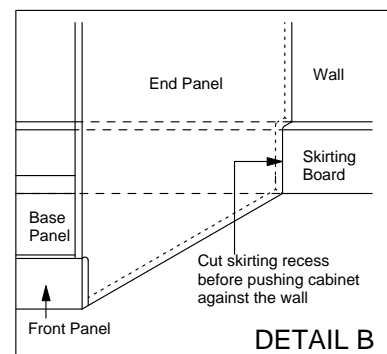
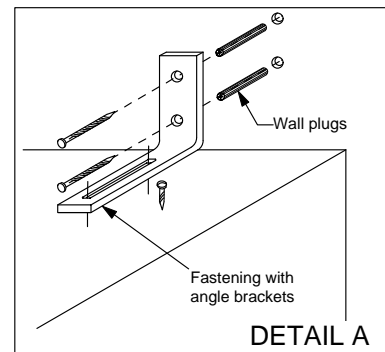
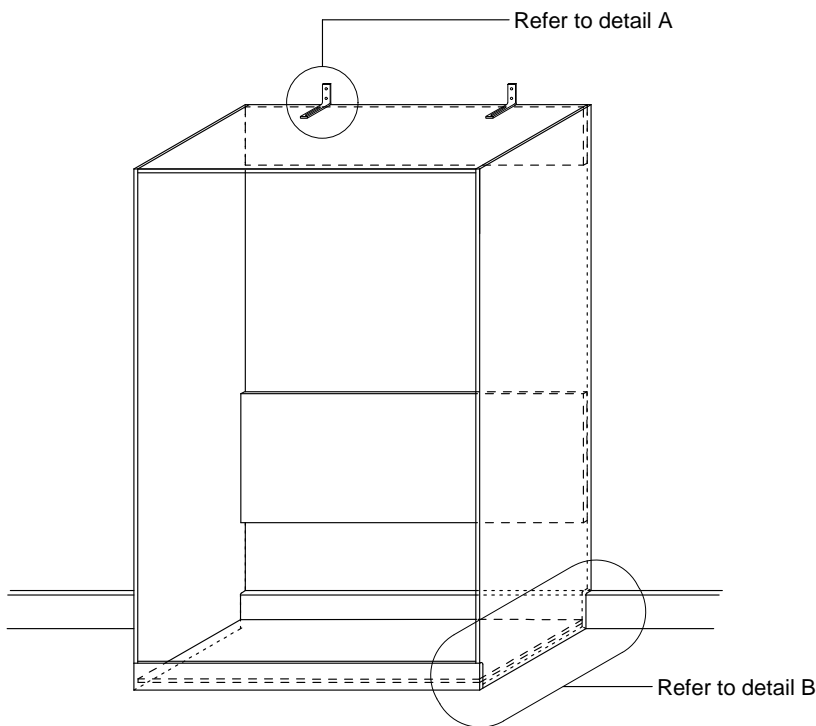
2 x Handles



4 x Nut, Bolt and
Double Washer setup

Step1 - Fixing Cabinet To Wall

- * Lay cabinet face down with bottom facing the wall.
- * To ensure the cabinet is flush against the wall when upright, it may be necessary to cut a larger recess into bottom of left and right hand end of cabinet.
- * Lift cabinet at top, pushing towards wall, being careful to have sufficient ceiling clearance.
- * Place cabinet into position against the wall and, using a spirit level against either the right or left hand end and the top, find the correct vertical and horizontal position. Mark this position on the wall with a pencil.



FASTENING OPTIONS 1

(for gyprock, fibro or timber walls)

- * Locate wall studs and mark clearly with pencil.
- * Sit angle brackets in cabinet top, flush with top and back edge and against the wall studs. Ensure that the twin hole side of bracket is against the wall.
- * Fix angle brackets through wall into studs using 65mm screws.
- * Ensure cabinet is in correct vertical position. Fix bottom of brackets into cabinet top using 16mm screws.
- * Fix bottom back rail to wall. Countersink screws to avoid pillow catch scraping on them.

FASTENING OPTIONS 2

(for brick/masonry walls)

- * Ensure cabinet is in correct vertical position.
- * With a pencil or nail, mark the wall through the predrilled holes in the top back rail and the bottom back rail.
- * Move cabinet aside. Using a 6.5mm masonry bit, drill 60mm deep holes into wall and insert wall plugs supplied.
- * Move cabinet back into place against wall.
- * Fix top back rail to wall through predrilled holes using 65mm screws. put on cover caps.
- * Fix bottom back rail to wall. Countersink screws to avoid pillow catch scraping on them.

PLEASE NOTE

As there is a lot of tension in the Wallbed when in the open position, it is very important that the cabinet is securely fixed to the wall.

Step2 - Wall Bed mechanism Assembly / Installation

- * Bolt bed frame mounting brackets to left and right ends through predrilled holes using sleeves and bolts provided. (DETAIL C)
- * Bolt left and right hand counter balance mechanisms to door bed frame. (Ensuring counter balances are to inside of door bed frame).
- * Prior to fitting bed frame into cabinet, be sure leveling screws are protruding 2-3mm out of - the bottom of the block (for later adjustment). Sit pivot block into mounting brackets (Diagram 2).
When complete, leave bed frame vertical in cabinet.
- * Fit manual foot to top of door bed frame (Diagram 3).

Note: Door is now ready to lift upwards.

As there is no tension on the mechanism, the doors are very heavy.

- * With one person each side of the bed, lift door up to within 30° of closing (Diagram 4).

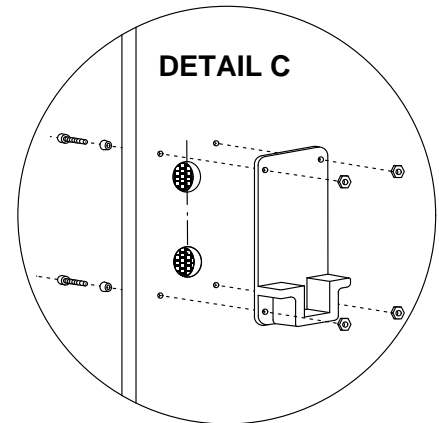


DIAGRAM 2

SITTING PIVOT BLOCK INTO MOUNTING BRACKETS

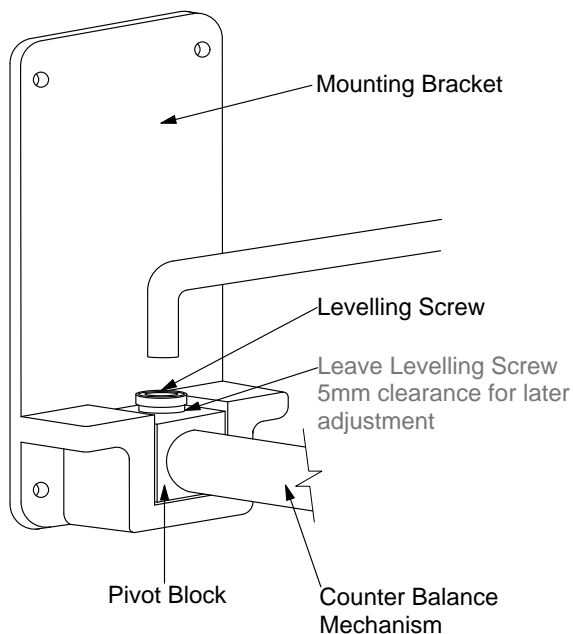
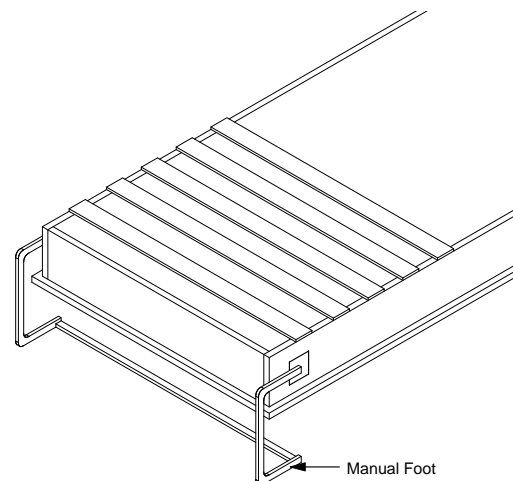


DIAGRAM 3



- * With a large 24mm socket turn tension handle clockwise on counter balance mechanisms to adjust tension. (Approximately 30 quarter turns would adjust tension sufficiently for a medium weight mattress.)
- * Test by lowering the cabinet door to floor and up again. The correct tension is achieved when the bed frame and doors lift slightly off the floor without the weight of a mattress.
- * If Headboard and pillowcatch are being used, hinge them together using piano hinge.
- * Bolt Headboard to head of bed door frame.
- * Attach handles to door (handles not supplied).
- * Attach bed straps to sides of bed frame by sliding ends through sewn loops over frame edge, approximately 300mm from head and foot of bed frame, and tighten until secure.
- * Slide mattress onto bed frame and secure with bed straps.
- * Close doors and again ensure that they align with cabinet. Final adjustment may be necessary and can be done by turning leveling screws in mounting block whilst the bed is open at 30°. (Diagram 5)

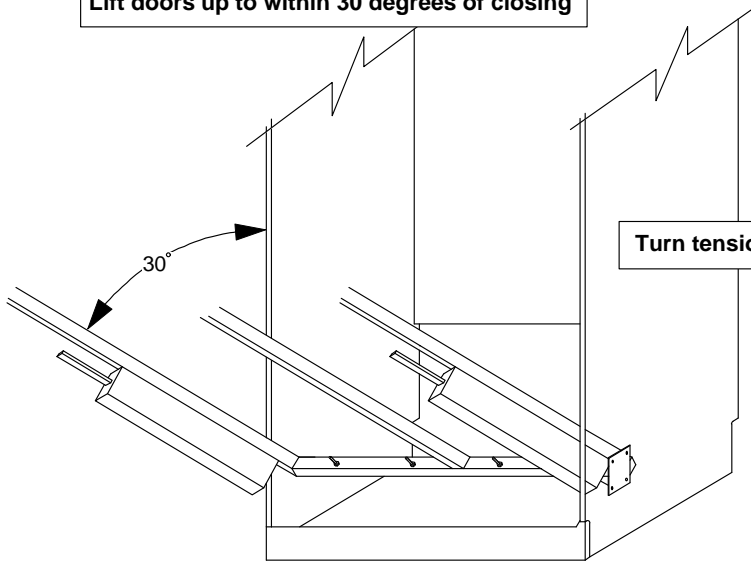
WARNING

When operating the Wallbed mechanism the bed frame must be carefully lowered all the way to the floor and not left to drop freely. If the bed frame is lowered without the weight of a mattress it may spring back causing injury.

DIAGRAM 4

ADJUST TENSION COUNTER BALANCE MECHANISMS

Lift doors up to within 30 degrees of closing



Turn tension handles clockwise to increase tension

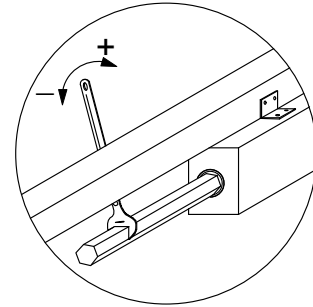
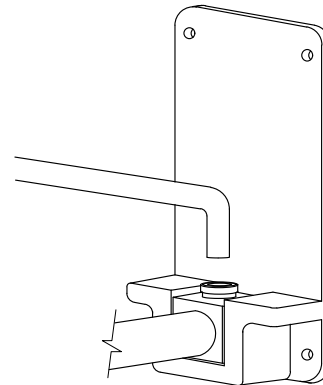
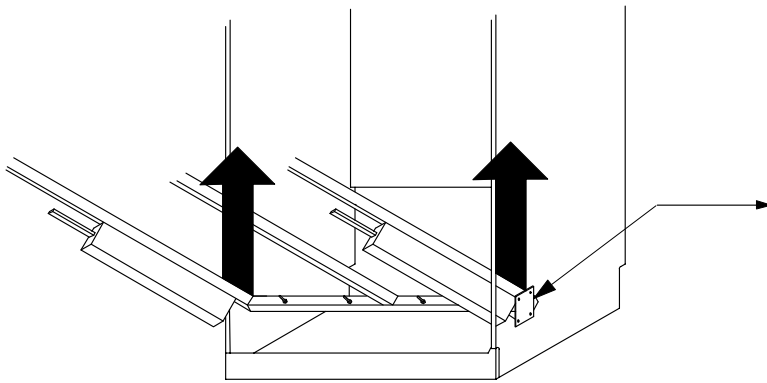


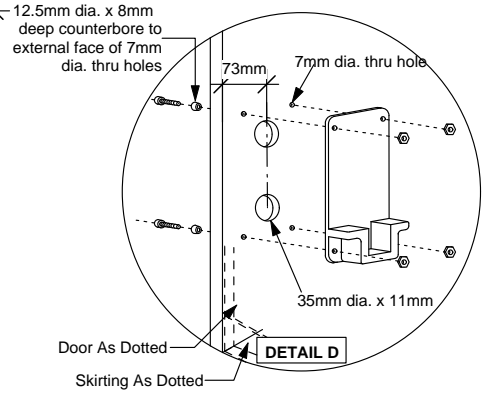
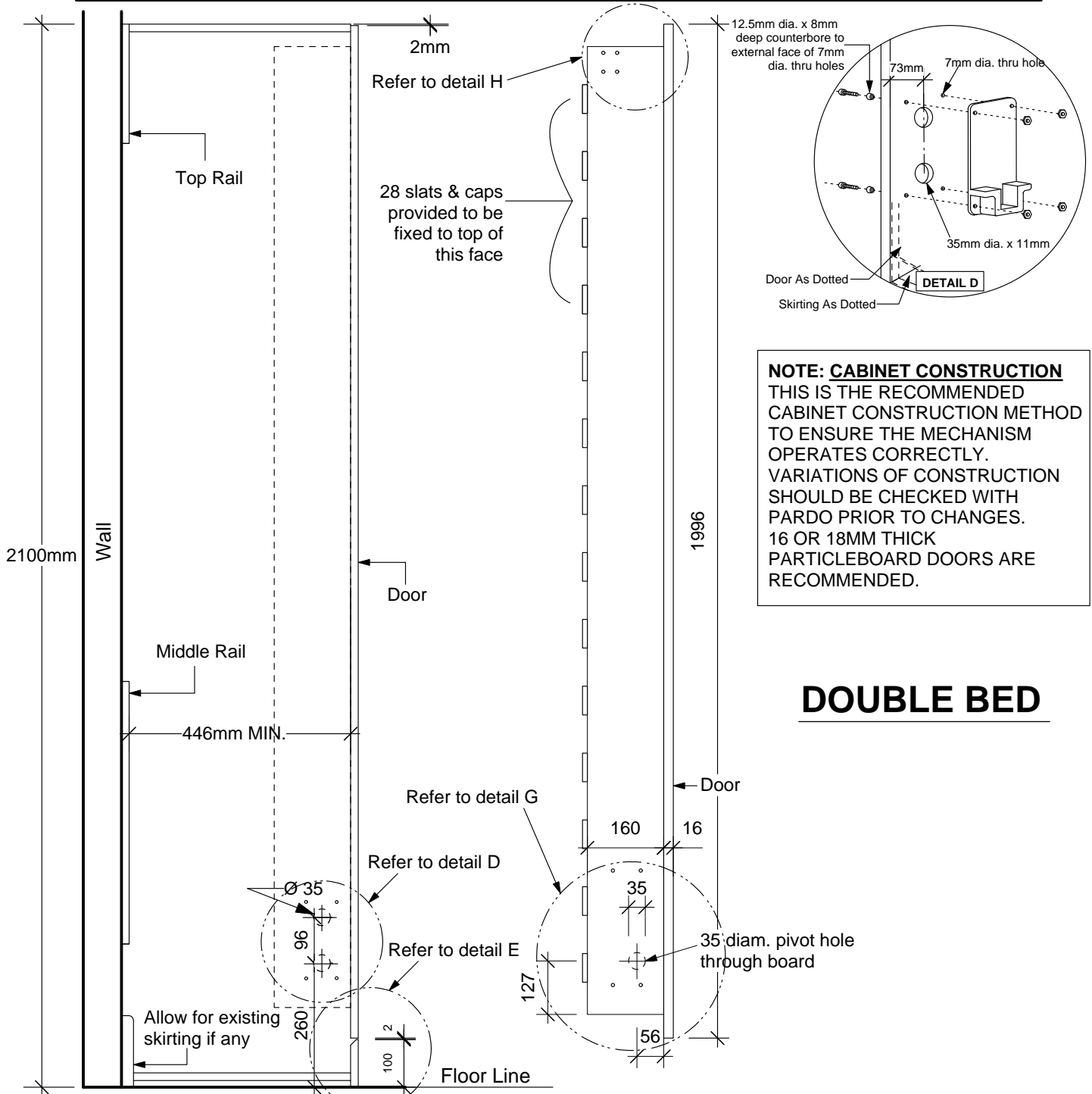
DIAGRAM 5

ADJUSTING LEVELLING SCREWS



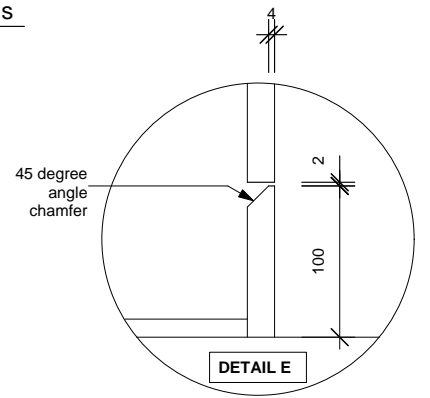
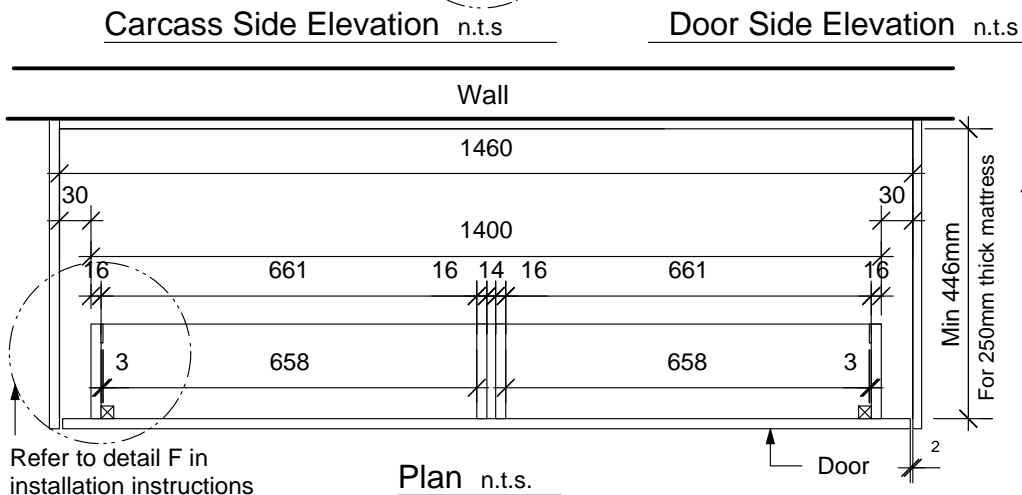
Final adjustment of doors may be made by adjusting levelling screws in mounting block whilst bed is open at 30 degrees

Carcass Construction - Double Manual Foot Wall Bed Mechanism

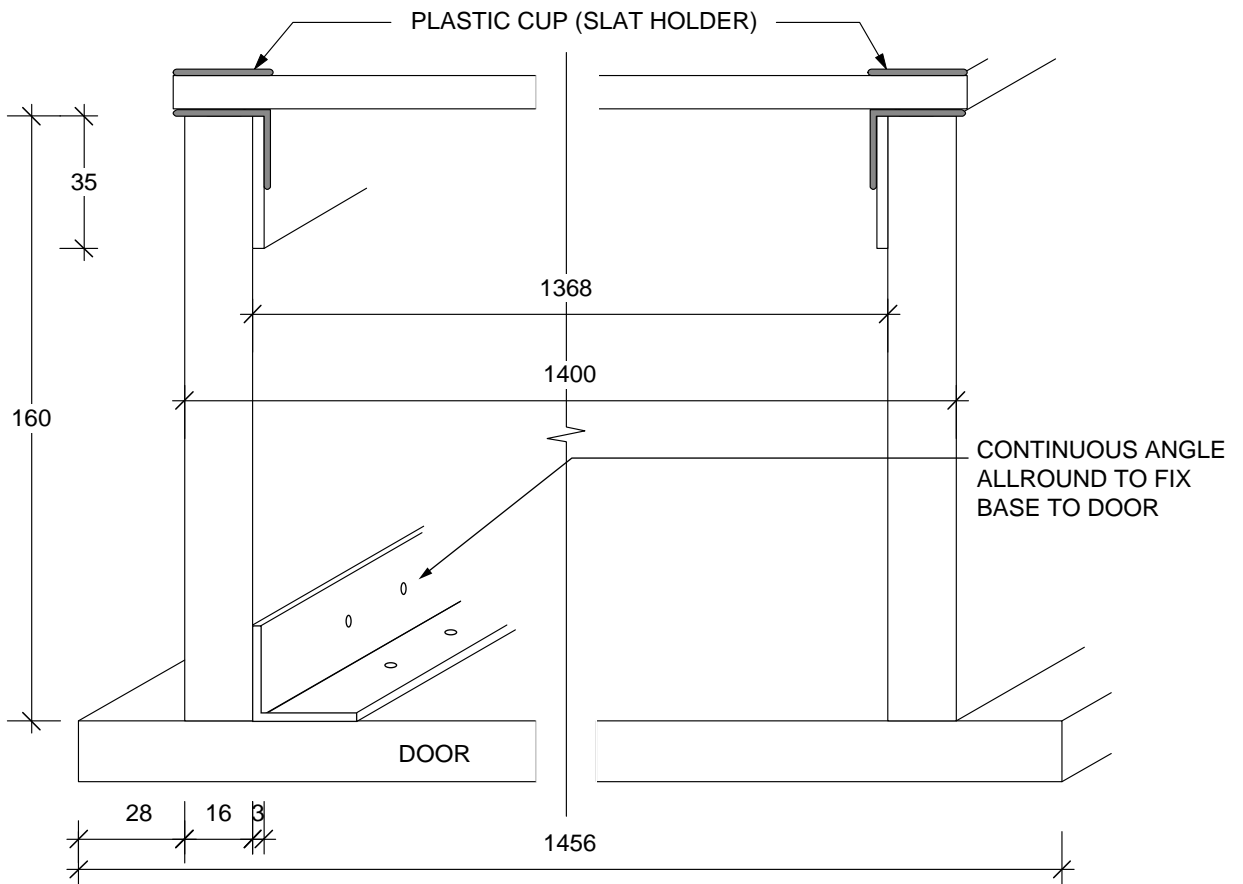


NOTE: CABINET CONSTRUCTION
 THIS IS THE RECOMMENDED CABINET CONSTRUCTION METHOD TO ENSURE THE MECHANISM OPERATES CORRECTLY. VARIATIONS OF CONSTRUCTION SHOULD BE CHECKED WITH PARDO PRIOR TO CHANGES. 16 OR 18MM THICK PARTICLEBOARD DOORS ARE RECOMMENDED.

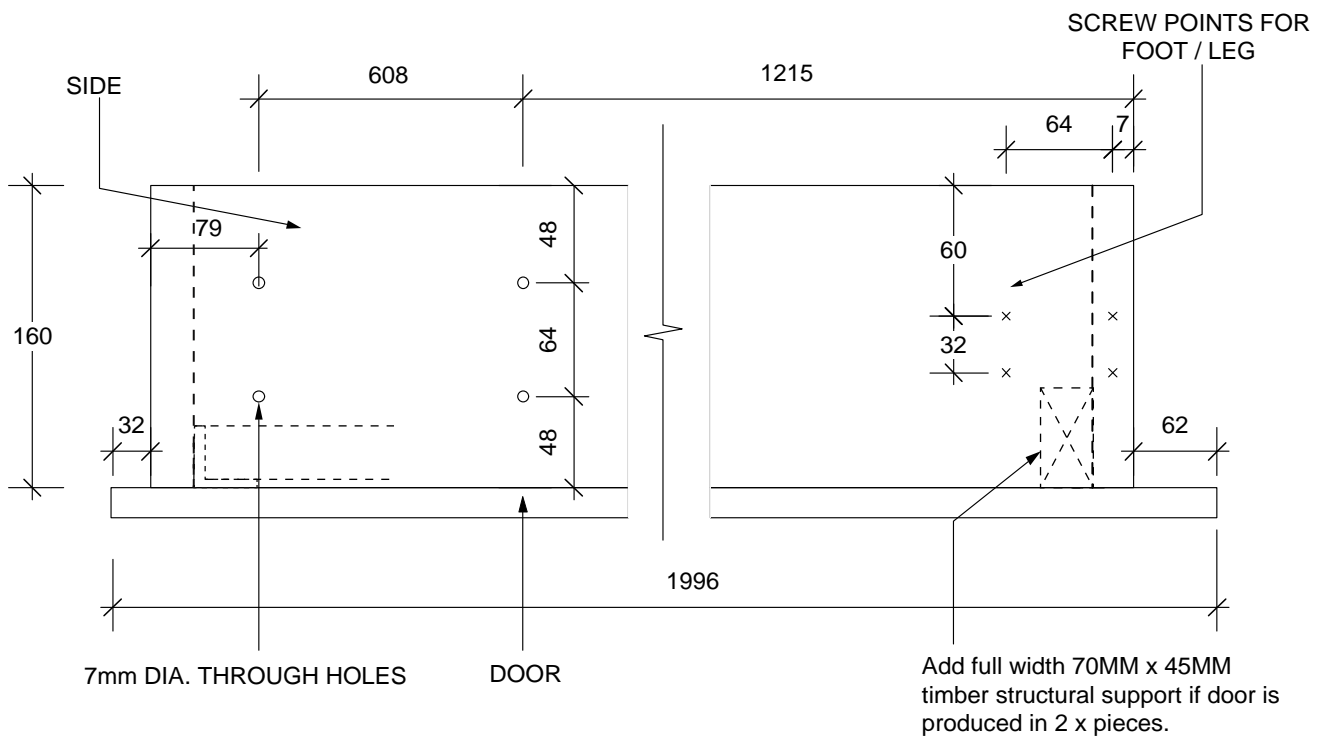
DOUBLE BED



Carcass Construction - Double Manual Foot Wall Bed Mechanism



DETAIL F
N.T.S



DETAILS G & H
N.T.S